



Datasheet

Draw-wire system SZG140

www.wachendorff-automation.com

Wachendorff Automation

... systems and encoders

- Complete systems
- Industrial rugged encoders to suit your application
- Standard range and customer versions
- Maximum permissible loads
- 48-hour express production
- Made in Germany
- Worldwide distributor network

Rugged draw-wire system SZG140



- Ball bearing drill protection
- Measuring rope (stainless steel)
- Bushing
- Quick and easy mounting

www.wachendorff-automation.com

Mechanical Data

| Measurement range [mm] | Extraction force | | Speed V_{max} [m/s] | Acceleration a_{max} [m/s ²] |
|---------------------------|------------------|---------------|--------------------------|-----------------------------------------------|
| | F_{min} [N] | F_{max} [N] | | |
| 5000 | 8.0 | 11.6 | 8 | 120 |

Technical data SZG140

| | | |
|----------------------------|------|---------------------------------------------------------------|
| Measurement range | [mm] | 5000 |
| Linearity | [%] | 0.05 (encoder output) |
| Disc circumference | [mm] | 317.68 |
| Temperature range | [°C] | -20 °C up to +85 °C (observe max. encoder temperature) |
| Weight | [g] | 1300 to 1600, depending on the measurement range |
| Housing | | aluminium, anodised, spring case PA6 |
| Encoder requirements | | Shaft: Ø 10 mm, clamping flange: Ø 36 mm, shaft length: 20 mm |
| Order No.: without encoder | | SZG1400500UZVK |

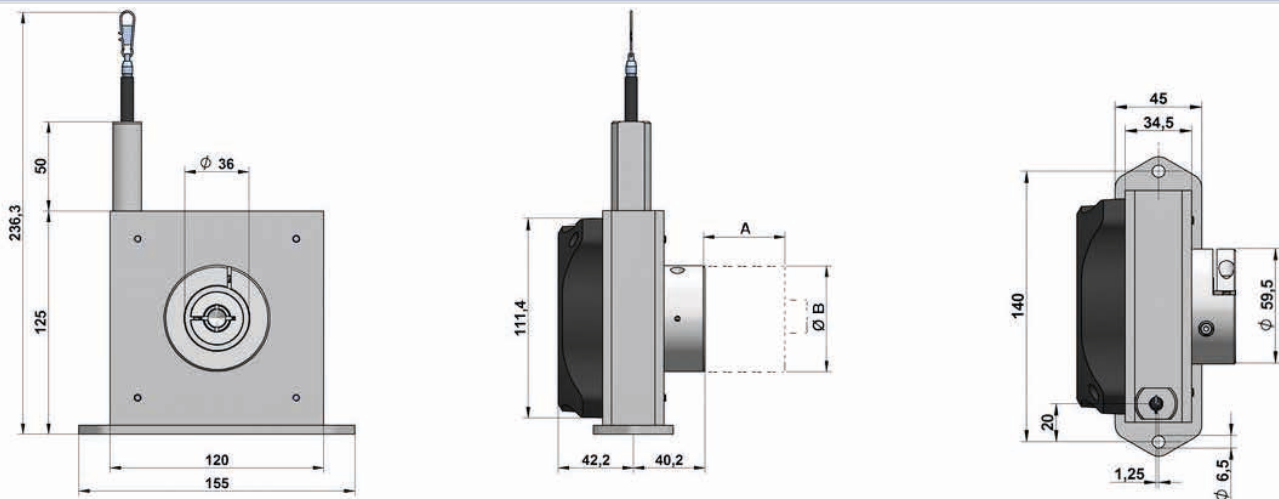
Example Order No.: incremental

| Type | Wire length | Pulses | Channels | Output circuit | Connection |
|--------|-------------|--------|----------|----------------|------------|
| SZG140 | 0500 | 02500 | AB | R24 | SB8 |

Example Order No.: absolute




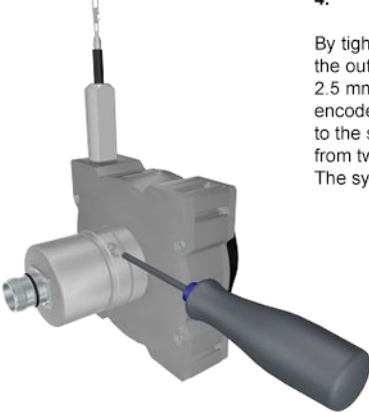
| Type | Wire length | Single-turn | Multi-turn | Interface | Software | Code | Power supply | galv. isolation | Connection |
|--------|-------------|-------------|------------|-----------|----------|------|--------------|-----------------|------------|
| SZG140 | 0500 | 12 | 18 | CO | A | B | 0 | 0 | CB5 |

Technical drawing SZG140



A, B = For dimensions please refer to the data sheet of the encoder used.

SZG140 Encoder mounting

| | |
|---------------------------------------------------------------------------------------------------------------------------------------------------------------------------------------------------------------------------------------------------------------------------|----------------------------------------------------------------------------------------------------------------------------------------------------------------------------------------------------------------------------------------------------------------------------------------------------------------|
|  <p>1. Please insert the encoder into the clamping flange.</p> |  <p>2. The encoder is now connected to the clamping flange.</p> |
|  <p>3. By tightening (approx. 2 Nm) the inner radial screw with a 2.5 mm hex wrench the encoder shaft will be clamped to the sensor mechanics and secured from twisting.</p> |  <p>4. By tightening (approx. 2 Nm) the outer radial screw with a 2.5 mm hex wrench the encoder housing will be clamped to the sensor housing and secured from twisting. The system is now ready to be used.</p> |

Installation

- Mount the sensor at the designated place by using the fixing holes before extracting the rope and before attaching the rope to the measuring target.
- Open the rope clip after the sensor is fully mounted and extract the measuring rope. Hook the rope clip on the measuring object and close the bracket of the clip. For safety reasons put a screw driver trough the clip to extract the rope.
- Check the track of the measuring target on collision with the sensor housing and on exceeding the specified measurement range. When installing the sensor make sure that the rubber stopper does not touch the rope outlet.
- Connect the electronics according to the sensor type. When laying the cables be careful not to under-run the minimal allowed bending radius of the cable (5 x cable diameter).
- The rope must be extracted from the sensor vertically. The maximum variation from the vertical is 3°. Avoid carefully extracting the rope at an inclination, since the durability of the instrument would shorten considerably. If it is not possible to keep the limit of 3°, a deflection pulley has to be used.
- The measuring range begins after approximately 2 mm extracted rope (=zero point). The mechanical reserve at the end of the measuring range is about 20 mm.
- When mounting outdoors protect the sensor and the rope from icing at temperatures below 0 °C.
- Guide the rope preferably in corners or guarded in channels to prevent pollution or accidental touch.
- When operating the sensor, take care not to let the rope snap back by mistake or extract the rope over the specified measurement range, as this might destroy the sensor.
- Maintenance: These instruments are maintenance-free. If however, the rope is soiled due to adverse environmental conditions, it can be cleaned with a cloth drenched in resin-free machine oil.

WARNING NOTICES

- Don't let the rope snap back. If the rope is retracted freely, this may lead to injuries (whiplash effect) and the device may be damaged. Caution when unhooking and retracting the rope into the sensor.
- Never exceed the specified measurement range when extracting the rope!
- Do not try to open the device. The stored energy of the spring drive may lead to injuries when being mishandled.
- Do not touch the rope when operating the sensor.
- Avoid guiding the rope over edges or corners. Use a deflection pulley instead.
- Do not operate the sensor if the rope is buckled or damaged. A ripping of the rope may lead to injuries or a damaging of the sensor.

Note: All incremental WDG158B or absolute WDGA58B encoders are suitable for mounting.



For further information please contact our local distributor.
Here you find a list of our distributors worldwide.
http://www.wachendorff-automation.com/distributors_worldwide.html



Wachendorff Automation GmbH & Co. KG
Industriestrasse 7 • D-65366 Geisenheim

Tel.: +49 (0) 67 22 / 99 65 - 25
Fax: +49 (0) 67 22 / 99 65 - 70
E-Mail: wdg@wachendorff.de
www.wachendorff-automation.com

